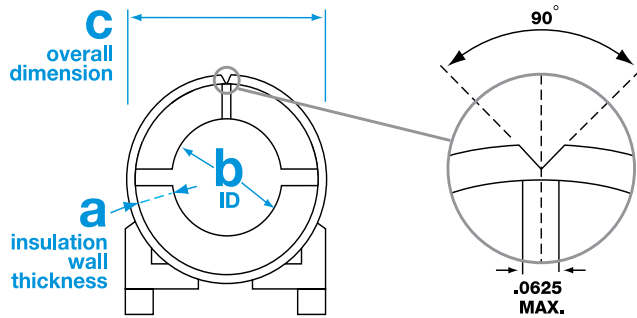
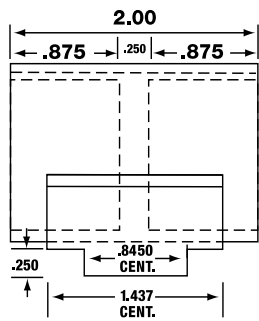
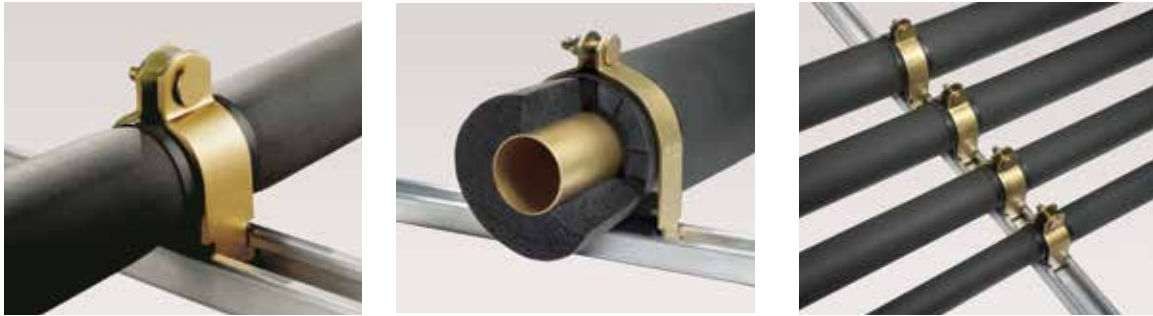


7-series Strut Mount Insulation Couplings

Klo-Shure® strut mounted parts include the Klo-Shure® Coupling, clamp halves with welded fastener and locknut. For use with elastomeric insulation.



Part Numbers:

All Klo-Shure® couplings consist of a 6-digit part number. This shows the breakdown of typical part numbers:

(i.e. Strut mounted coupling for 1-5/8" tube with 1" wall insulation)

728162

first digit
7 = series

second digit
2 = strut mount
0 = clevis

third digit
insulation wall thickness based on 1/8" increments
3 = 3/8"
4 = 1/2"
6 = 3/4"
8 = 1"
9 = 1-1/2"

last three digits
outer diameter of the tubing/inner diameter of Klo-Shure® Coupling (decimal equivalent in inches)

a
see diagram above

*** b**
Klo-Shure® ID
tube OD

c
overall
dimension

part no.

quantity
per box

Klo-Shure®	1/4" OD	1.12	723025	40
Strut Mounted Coupling for	3/8" OD	1.25	723037	25
3/8" wall insulation	1/2" OD	1.37	723050	20
	5/8" OD	1.50	723062	20
	3/4" OD	1.62	723075	20
	7/8" OD	1.75	723087	20
	1" OD	1.87	723100	20
	1-1/8" OD	2.00	723112	20
	1-3/8" OD	2.25	723137	20
	1-5/8" OD	2.50	723162	10
	2-1/8" OD	3.00	723212	10



a see diagram on previous page	*b Klo-Shure® ID tube OD	c overall dimension	part no.	quantity per box	
Klo-Shure® Strut Mounted Coupling for 1/2" wall insulation	1/4" OD	1.37	724 025	25	
	3/8" OD	1.50	724 037	25	
	1/2" OD	1.62	724 050	20	
	5/8" OD	1.75	724 062	20	
	3/4" OD	1.87	724 075	20	
	7/8" OD	2.00	724 087	20	
	1" OD	2.12	724 100	20	
	1-1/8" OD	2.25	724 112	20	
	1-3/8" OD	2.50	724 137	20	
	1-5/8" OD	2.75	724 162	10	
	2-1/8" OD	3.25	724 212	10	
	2-5/8" OD	3.75	724 262	10	
	3-1/8" OD	4.25	724 312	10	
	3-5/8" OD	4.75	724 362	10	
	4-1/8" OD	5.25	724 412	10	
	Klo-Shure® Strut Mounted Coupling for 3/4" wall insulation	1/4" OD	1.87	726 025	20
3/8" OD		2.00	726 037	20	
1/2" OD		2.12	726 050	10	
5/8" OD		2.25	726 062	10	
3/4" OD		2.37	726 075	10	
7/8" OD		2.50	726 087	10	
1-1/8" OD		2.75	726 112	10	
1-3/8" OD		3.00	726 137	10	
1-5/8" OD		3.25	726 162	10	
2-1/8" OD		3.75	726 212	10	
2-5/8" OD		4.25	726 262	10	
3-1/8" OD		4.75	726 312	10	
3-5/8" OD		5.25	726 362	10	
4-1/8" OD		5.75	726 412	10	
Klo-Shure® Strut Mounted Coupling for 1" wall insulation		5/16" OD	2.43	728 031	10
		3/8" OD	2.50	728 037	10
	1/2" OD	2.62	728 050	10	
	5/8" OD	2.75	728 062	10	
	3/4" OD	2.87	728 075	10	
	7/8" OD	3.00	728 087	10	
	1-1/8" OD	3.25	728 112	10	
	1-3/8" OD	3.50	728 137	10	
	1-5/8" OD	3.75	728 162	10	
	2-1/8" OD	4.25	728 212	10	
	2-5/8" OD	4.75	728 262	10	
	3-1/8" OD	5.25	728 312	10	
	3-5/8" OD	5.75	728 362	10	
	4-1/8" OD	6.25	728 412	5	
	Klo-Shure® Strut Mounted Coupling for 1-1/2" wall insulation	5/16" OD	3.43	729 031	10
		3/8" OD	3.50	729 037	10
1/2" OD		3.62	729 050	10	
5/8" OD		3.75	729 062	10	
7/8" OD		4.00	729 087	10	
1-1/8" OD		4.25	729 112	10	
1-3/8" OD		4.50	729 137	10	
1-5/8" OD		4.75	729 162	10	
2-1/8" OD		5.25	729 212	10	
2-5/8" OD		5.75	729 262	10	
3-1/8" OD		6.25	729 312	5	

***Note:** Klo-Shure® ID equals copper tube OD. Chart indicates coupling sizes currently available from Klo-Shure®. All metal parts have Tri-Valent plating. Please contact Klo-Shure® for 304 or 316 stainless steel hardware pricing.

