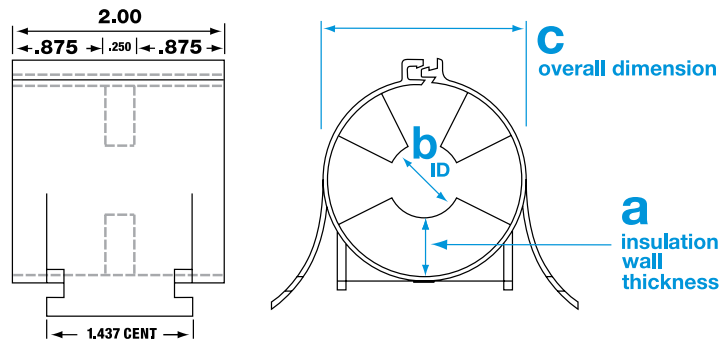
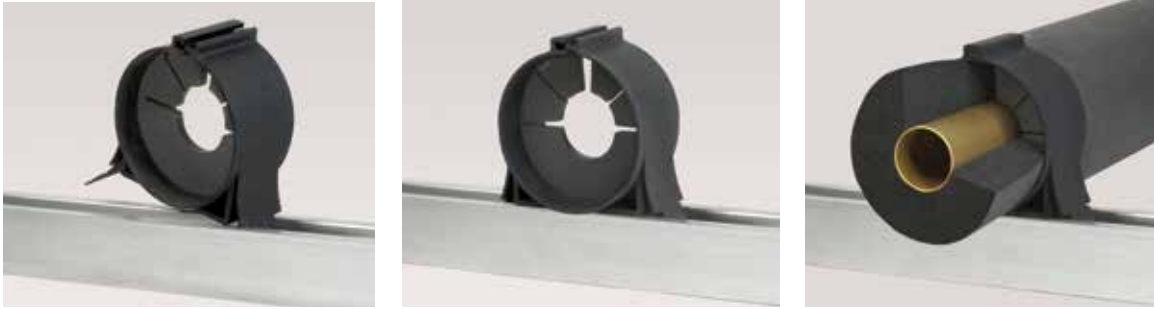


## 8-Series Strut Mount Insulation Couplings

The Klo-Shure® 8-series coupling allows the installer to insert the Klo-Shure coupling into channel and lock the top. No metal clamps needed. For use with elastomeric insulation. Optional hand tool is available.



### Part Numbers:

All Klo-Shure® couplings consist of a 6-digit part number. This shows the breakdown of typical part numbers:

(i.e. Strut mounted coupling for 1-3/8" tube with 1/2" wall insulation)

**824137**

**first digit**  
8 = series

**second digit**  
2 = strut mount

**third digit**  
insulation wall thickness based on 1/8" increments  
3 = 3/8"  
4 = 1/2"  
6 = 3/4"  
8 = 1"

**last three digits**  
outer diameter of the tubing/inner diameter of Klo-Shure® Coupling (decimal equivalent in inches)

<b>a</b> see diagram above	<b>* b</b> Klo-Shure® ID tube OD	<b>c</b> overall dimension	part no.
Klo-Shure® Coupling for <b>1/2"</b> wall insulation	1/2" OD	1.62	824 <b>050</b>
	5/8" OD	1.75	824 <b>062</b>
	7/8" OD	2.00	824 <b>087</b>
	1-1/8" OD	2.25	824 <b>112</b>
	1-3/8" OD	2.50	824 <b>137</b>
	1-5/8" OD	2.75	824 <b>162</b>
Klo-Shure® Coupling for <b>3/4"</b> wall insulation	2-1/8" OD	3.25	824 <b>212</b>
	5/8" OD	2.25	826 <b>062</b>
	7/8" OD	2.50	826 <b>087</b>
	1-1/8" OD	2.75	826 <b>112</b>
Klo-Shure® Coupling for <b>1"</b> wall insulation	1-3/8" OD	3.00	826 <b>137</b>
	7/8" OD	3.00	828 <b>087</b>
	1-1/8" OD	3.25	828 <b>112</b>
	1-3/8" OD	3.50	828 <b>137</b>
	1-5/8" OD	3.75	828 <b>162</b>
	2-1/8" OD	4.25	828 <b>212</b>
	2-5/8" OD	4.75	828 <b>262</b>

