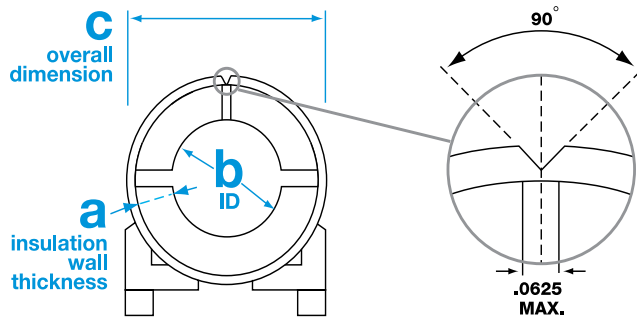
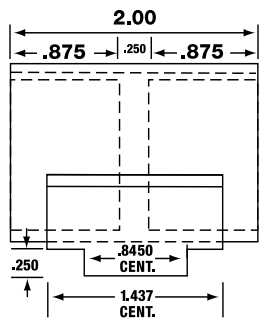
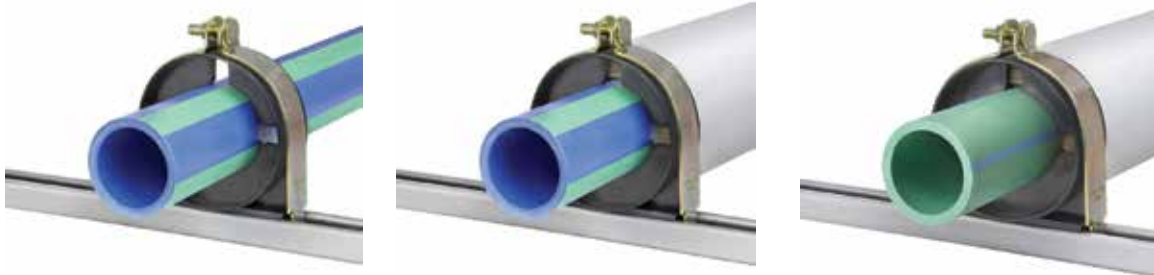


# 9-series Strut Mount Insulation Couplings for Millimeter Pipe

Klo-Shure® strut mounted parts include the Klo-Shure® Coupling, clamp halves with welded fastener and locknut.



### Part Numbers:

All Klo-Shure® couplings consist of a 6-digit part number. This shows the breakdown of typical part numbers:

(i.e. Strut mounted coupling for 63mm pipe with 1" wall insulation)

**928M63** millimeter

- first digit** 9 = series
- second digit** 2 = strut mount, 0 = clevis
- third digit** insulation wall thickness based on 1/8" increments: 3 = 3/8", 4 = 1/2", 6 = 3/4", 8 = 1", 9 = 1-1/2"
- last two digits** outer diameter of the tubing/inner diameter of Klo-Shure® Coupling (decimal equivalent in mm)

**a**  
see diagram above

**\* b**  
Klo-Shure® ID  
pipe OD

**C**  
overall  
dimension

part no.

quantity  
per box

	* b Klo-Shure® ID pipe OD	C overall dimension	part no.	quantity per box
Klo-Shure®	25 mm	3.008	928 <b>M25</b>	10
Strut Mounted Coupling for	32 mm	3.638	928 <b>M32</b>	10
<b>1" wall insulation</b>	40 mm	3.638	928 <b>M40</b>	10
	50 mm	4.138	928 <b>M50</b>	10
	63 mm	4.638	928 <b>M63</b>	10
	75 mm	5.138	928 <b>M75</b>	10
	90 mm	5.750	928 <b>M90</b>	10

