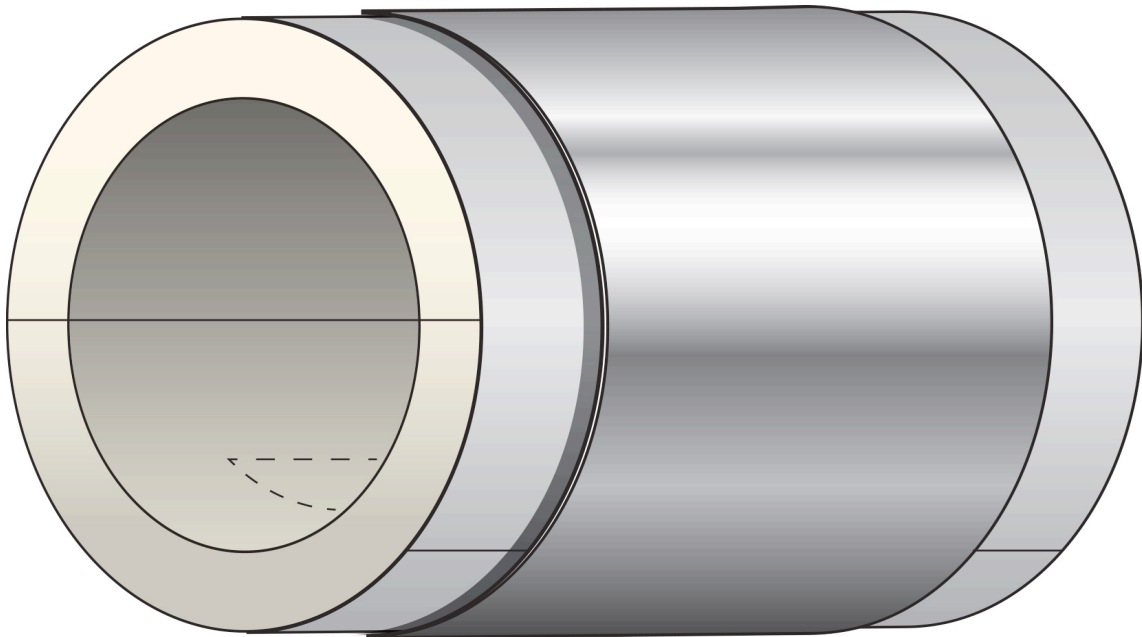


AMIS 200 I CAL SIL PIPE SUPPORT SYSTEM

FEATURES:

- * 360 DEGREES GALVANIZED CARBON STEEL SADDLE
- * CALCIUM SILICATE PIPE INSULATION WITH INTEGRATED STRUCTURAL INSERT FABRICATED INTO THE BOTTOM PORTION OF SUPPORT.



APPLICATION:

AMIS 200 Cal Sil is designed for use on medium and high temperature piping systems or for cold applications when a vapor barrier is applied. High temperature applications include heat transfer systems for hot water, fuel oil, steam condensate, super-heated steam, petroleum and process piping and generator exhaust. Cold temperature applications include cold water systems, chilled water systems, and rain water conductors. Manufactured for installation on flat surfaces and clevis hanger systems.



38900 W. TEN MILE RD. • FARMINGTON HILLS, MI 48335
 ph: 248-478-7644 • fx: 248-478-6195 • toll free: 800-859-7875
 sales@americaninsulation.com • www.americaninsulation.com

MODEL - AMIS 200 I CAL SIL
PRE-INSULATED PIPE SUPPORT SYSTEM
WITH HIGH STRENGTH/HIGH TEMPERATURE PIPE INSULATION

FEATURES:

- NO MINIMUM ORDER REQUIREMENTS
- NEVER OVER PURCHASE AGAIN
- EASY RETURNS

COST SAVINGS

- NO DELIVERY CHARGES
- COST COMPETITIVE

- HIGH TEMPERATURE APPLICATIONS
- REDUCES NOISE & VIBRATION
- EASY INSTALLATION
- 360 METAL SHIELD
- CARBON STEEL SHIELD
- EXTENDED INSULATION
- AVAILABLE WITH VAPOR BARRIER

QUALITY

- NON-ASBESTOS CAL-SIL
- NON-COMBUSTIBLE
- FLARED METAL SHIELDS
- LIGHT WEIGHT
- INDIVIDUALLY LABELED
- PROVIDED WITH STRUCTURAL INSERT

DELIVERY

- NEXT DAY DELIVERY OF STOCK SIZES
- **SAVE TIME & \$\$\$\$\$**
- ORDER AS NEEDED
- PACKAGED AND TAGGED FOR SPECIFIC JOBSITE AREA
- NEVER WAIT AGAIN
- FREE DELIVERY

APPLICATION:

AMIS 200 CALSIL IS DESIGNED FOR USE ON MEDIUM AND HIGH TEMPERATURE PIPING SYSTEMS OR FOR COLD APPLICATION WHEN A VAPOR BARRIER IS APPLIED. HIGH TEMPERATURE APPLICATIONS INCLUDE HEAT TRANSFER SYSTEMS FOR HOT WATER, FUEL OIL, STEAM CONDENSATE, SUPER HEATED STEAM, PETROLEUM AND PROCESS PIPING AND GENERATOR EXHAUST. COLD TEMPERATURE APPLICATIONS INCLUDE COLD WATER SYSTEMS, CHILLED WATER SYSTEMS, AND RAIN WATER CONDUCTORS. MANUFACTURED FOR INSTALLATION ON FLAT SURFACES AND CLEVIS HANGER SYSTEMS.

MATERIAL DATA:

<i>TEMPERATURE RANGE</i>	+100F TO +1200F (+40F TO 1200F WITH VAPOR BARRIER)	
<i>SHIELD PROPERTIES</i>	GALVANIZED CARBON STEEL	ASTM A 527
<i>DENSITY</i>	14 PCF	ASTM C 302
<i>COMBUSTIBILITY</i>	NON-COMBUSTIBLE	ASTM E 136
<i>WATER-REPELLENT</i>	PASSES	ASTM C 533, TYPE I
<i>COMPRESSIVE STRENGTH</i>	100psi CAL SIL	ASTM C 165
	450psi/900psi INSERT	ASTM C 533, C 795
<i>CAL-SIL SURFACE BURNING CHARACTERISTICS</i>	FLAME SPREAD 0	ASTM E 84
	SMOKE DEVELOPMENT 0	
<i>THERMAL CONDUCTIVITY</i>	Mn TEMP=100F 0.31 BTU-in/hr-SF-F	ASTM C 335
	Mn TEMP=200F 0.36 BTU-in/hr-SF-F	
	Mn TEMP=400F 0.41 BTU-in/hr-SF-F	
	Mn TEMP=600F 0.49 BTU-in/hr-SF-F	