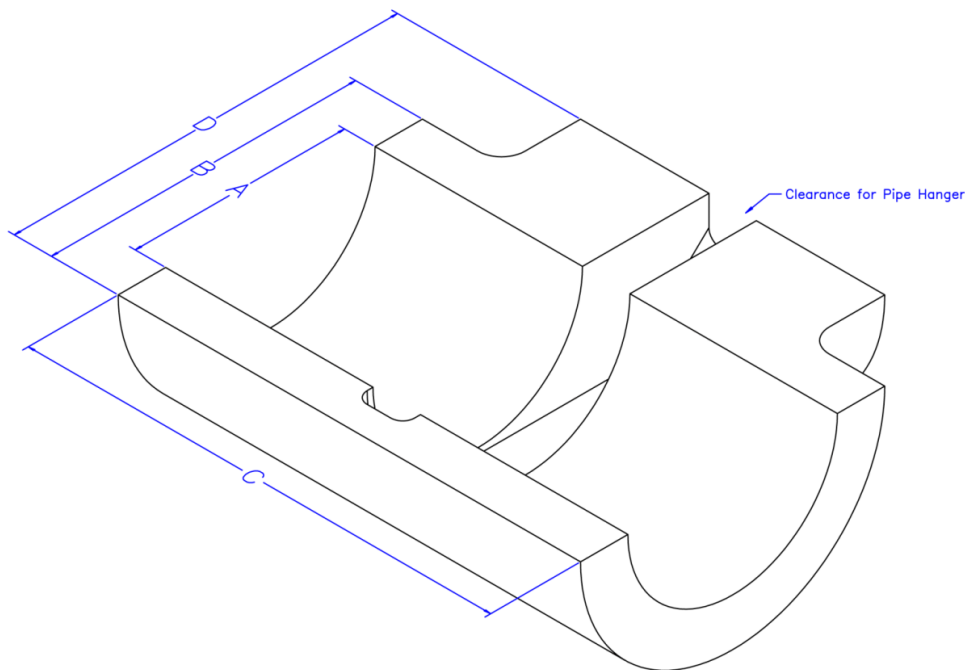


AMIS 233 CLEVOR H2 Patent Pending MINERAL WOOL INSULATION CLEVIS HANGER COVER

FEATURES:

- * TWO HALVES SURROUND AND INSULATE CLEVIS HANGER AND PIPE
- * MINERAL WOOL INSULATION WITH .020 WHITE PVC COVER



APPLICATION:

AMIS 233 H2 Mineral Wool Covers designed for use on medium and high temperature piping systems. High temperature applications include plumbing, hot-water heating, heat transfer systems for hot water, fuel oil, steam condensate, super-heated steam, petroleum and process piping and generator exhaust. For installation over clevis hangers when pre-insulated pipe supports aren't used.



38900 W. TEN MILE RD. • FARMINGTON HILLS, MI 48335
ph: 248-478-7644 • fx: 248-478-6195 • toll free: 800-859-7875
sales@americaninsulation.com • www.americaninsulation.com

MODEL - AMIS 233 CLEWOR H2 COVER Patent Pending
INSULATED PIPE SUPPORT COVER SYSTEM
WITH PLENUM-RATED MINERAL WOOL INSULATION AND .020 WHITE PVC COVER

FEATURES:

COST SAVINGS

- NO MINIMUM ORDER REQUIREMENTS
- NEVER OVER PURCHASE AGAIN

- NO DELIVERY CHARGES
- COST COMPETITIVE

QUALITY

- HIGH TEMPERATURE APPLICATIONS
- REDUCES NOISE & VIBRATION
- EASY INSTALLATION
- INDIVIDUALLY LABELED

- 1,200F MINERAL WOOL INSULATION
- NON-COMBUSTIBLE
- LIGHT WEIGHT

DELIVERY

- NEVER WAIT AGAIN
- FREE DELIVERY
- PACKAGED/TAGGED FOR SPECIFIC JOBSITE AREA

- **SAVE TIME & \$\$\$\$\$**
- ORDER AS NEEDED

APPLICATION:

AMIS 233 H2 IS DESIGNED FOR USE ON MEDIUM AND HIGH TEMPERATURE PIPING SYSTEMS. HIGH TEMPERATURE APPLICATIONS INCLUDE PLUMBING, HEATING HOT WATER, HEAT TRANSFER SYSTEMS FOR HOT WATER, FUEL OIL, STEAM CONDENSATE, SUPER HEATED STEAM, PETROLEUM AND PROCESS PIPING AND GENERATOR EXHAUST. FOR INSTALLATION OVER CLEVIS HANGERS WHERE PIPE MOVEMENT IS ISOLATED OR ELIMINATED, AND WHEN PRE-INSULATED PIPE SUPPORTS AREN'T USED.

MATERIAL DATA:

TEMPERATURE RANGE	-297F TO +300F	
DENSITY	2.0 pcf	ASTM D 1622
COMBUSTIBILITY	NON-COMBUSTIBLE	ASTM E 136
SURFACE BURNING	FLAME SPREAD 25	ASTM E 84
CHARACTERISTICS	SMOKE DEVELOPMENT 450	
THERMAL CONDUCTIVITY	Mn TEMP= 75F 0.20 BTU-in/hr-SF-F	ASTM C 518
WATER VAPOR PERM.	PERM-INCH= 1.1	ASTM C 96
CLOSED CELL CONTENT	95%	ASTM D 2856