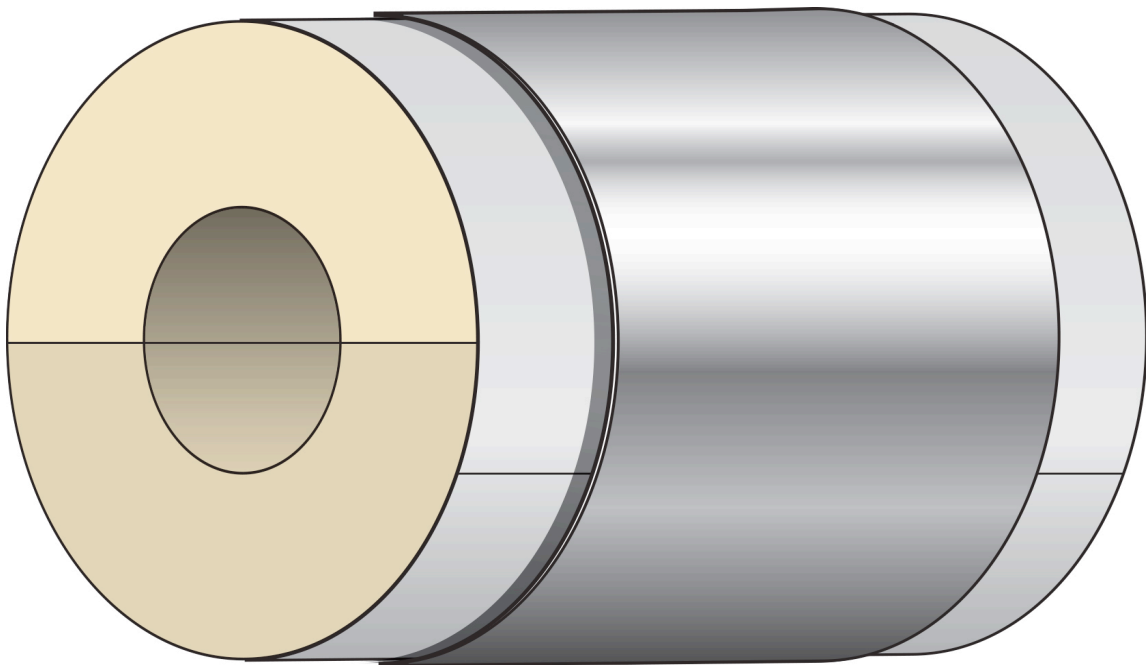


AMIS 300 I POLYISOCYANURATE PIPE SUPPORT SYSTEM

FEATURES:

- * 360 DEGREES GALVANIZED CARBON STEEL SADDLE
- * 6# PCF POLYISOCYANURATE PIPE INSULATION BOTTOM



APPLICATION:

AMIS 300 Polyisocyanurate is designed to be used on medium and low temperature piping. Low temperature applications include cold water, chilled water, brine systems, DOWTHERM J systems, and other refrigerant system applications. For installation on flat surfaces and clevis hanger systems.



38900 W. TEN MILE RD. • FARMINGTON HILLS, MI 48335
 ph: 248-478-7644 • fx: 248-478-6195 • toll free: 800-859-7875
 sales@americaninsulation.com • www.americaninsulation.com

MODEL - AMIS 300 I POLYISOCYANURATE "cold stuff!"

PRE-INSULATED PIPE SUPPORT SYSTEM
 WITH HIGH DENSITY 180 DREGREE BOTTOM POLYISOCYANURATE PIPE INSULATION

FEATURES:

- NO MINIMUM ORDER REQUIREMENTS
- NEVER OVER PURCHASE AGAIN
- EASY RETURNS

COST SAVINGS

- **NO** DELIVERY CHARGES
- COST COMPETITIVE

- LOW TEMPERATURE APPLICATIONS
- REDUCES NOISE & VIBRATION
- EASY INSTALLATION
- FIRE RESISTANT
- CARBON STEEL SHIELD
- EXTENDED INSULATION
- AVAILABLE WITH VAPOR BARRIER

QUALITY

- LOW WATER PERMEABILITY
- CRYOGENIC SYSTEM APPLICATION
- FLARED METAL SHIELDS
- 360 DEGREE METAL SHIELD
- FREEZE RESISTANT
- INDIVIDUALLY LABELED
- PROVIDED WITH STRUCTURAL INSERT

- NEXT DAY DELIVERY OF STOCK SIZES
- **SAVE** TIME & \$\$\$\$\$
- ORDER AS NEEDED
- PACKAGED AND TAGGED FOR SPECIFIC JOBSITE AREA

DELIVERY

- NEVER WAIT AGAIN
- FREE DELIVERY

APPLICATION:

AMIS 300 POLYISOCYANURATE IS DESIGNED FOR USE ON MEDIUM AND LOW TEMPERATURE PIPE SUPPORTS SYSTEMS. LOW TEMPERATURE APPLICATIONS INCLUDE COLD WATER, CHILLED WATER, BRINE SYSTEMS, DOWTHERM J SYSTEMS, AND OTHER REFRIGERANT SYSTEM APPLICATIONS. FOR INSTALLATION ON FLAT SURFACES AND CLEVIS HANGER SYSTEMS.

MATERIAL DATA:

TEMPERATURE RANGE	-297F TO +300F	
SHIELD PROPERTIES	GALVANIZED CARBON STEEL	ASTM A 527
DENSITY	6.0 pcf	ASTM D 1622
COMBUSTIBILITY	NON-COMBUSTIBLE	ASTM E 136
COMPRESSIVE STRENGTH	140psi	ASTM D 1621
SURFACE BURNING CHARACTERISTICS	FLAME SPREAD 25	ASTM E 84
	SMOKE DEVELOPMENT 450	
THERMAL CONDUCTIVITY	Mn TEMP= 75F 0.20 BTU-in/hr-SF-F	ASTM C 518
WATER VAPOR PERM.	PERM-INCH= 1.1	ASTM C 96
CLOSED CELL CONTENT	95%	ASTM D 2856