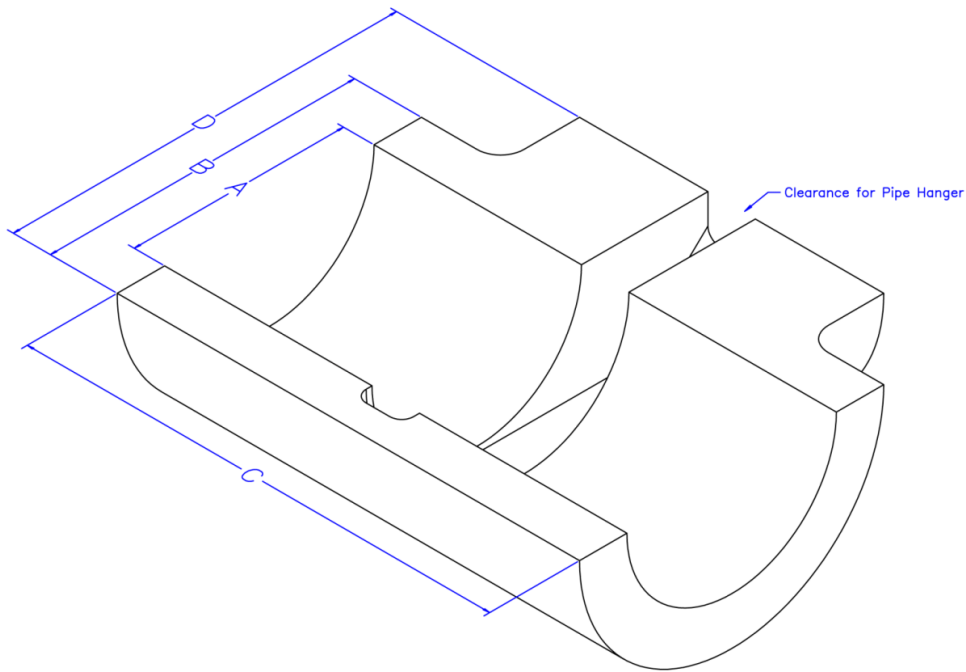


AMIS 333 CLEVOR H2 Patent Pending POLYISO INSULATION COVER CLEVIS HANGER

FEATURES:

- * TWO HALVES SURROUND AND INSULATE CLEVIS HANGER AND PIPE
- * POLYISOCYANURATE PIPE INSULATION WITH .020 WHITE PVC COVER



APPLICATION:

AMIS 333 Clevor H2 Polyisocyanurate covers are designed to be used on medium and low temperature piping. Low temperature applications include cold water, chilled water, brine systems, DOWTHERM J systems, and other refrigerant system applications. For installation over clevis hangers when pre-insulated pipe supports aren't used.



38900 W. TEN MILE RD. • FARMINGTON HILLS, MI 48335
ph: 248-478-7644 • fx: 248-478-6195 • toll free: 800-859-7875
sales@americaninsulation.com • www.americaninsulation.com

MODEL - AMIS 333 CLEVER H2 COVER Patent Pending

INSULATED PIPE SUPPORT COVER SYSTEM
WITH PLENUM-RATED POLYISOCYANURATE INSULATION & .020 WHITE PVC
COVER

FEATURES:

COST SAVINGS

- NO MINIMUM ORDER REQUIREMENTS
- NEVER OVER PURCHASE AGAIN
- NO DELIVERY CHARGES
- COST COMPETITIVE

QUALITY

- LOW TEMPERATURE APPLICATIONS
- REDUCES NOISE & VIBRATION
- EASY INSTALLATION
- FREEZE RESISTANT
- LOW WATER PERMEABILITY
- CRYOGENIC SYSTEM APPLICATION
- FIRE RESISTANT
- AVAILABLE WITH VAPOR BARRIER

DELIVERY

- NEVER WAIT AGAIN
- FREE DELIVERY
- PACKAGED/TAGGED FOR SPECIFIC JOBSITE AREA
- **SAVE TIME & \$\$\$\$\$**
- ORDER AS NEEDED

APPLICATION:

AMIS 333 H2 POLYISOCYANURATE IS DESIGNED FOR USE ON MEDIUM AND LOW TEMPERATURE PIPING SYSTEMS. LOW TEMPERATURE APPLICATIONS INCLUDE COLD WATER, CHILLED WATER, BRINE SYSTEMS, DOWTHERM J SYSTEMS, AND OTHER REFRIGERANT SYSTEM APPLICATIONS. FOR INSTALLATION OVER CLEVIS HANGERS WHERE PIPE MOVEMENT IS ISOLATED OR ELIMINATED, AND WHEN PRE-INSULATED PIPE SUPPORTS AREN'T USED.

MATERIAL DATA:

TEMPERATURE RANGE	-297F TO +300F	
DENSITY	3.0 pcf @ 74F	ASTM D1622
COMBUSTIBILITY	NON-COMBUSTIBLE	ASTM E136
COMPRESSIVE STRENGTH	55 psi	ASTM D 1621
SURFACE BURNING	FLAME SPREAD 25	ASTM E 84
CHARACTERISTICS	SMOKE DEVELOPMENT 50	
THERMAL CONDUCTIVITY	Mn TEMP=75F 0.172 BTU-in/hr-SF-F	ASTM C 518-91
CLOSED CELL CONTENT	92% @ 74F	ASTM D2856