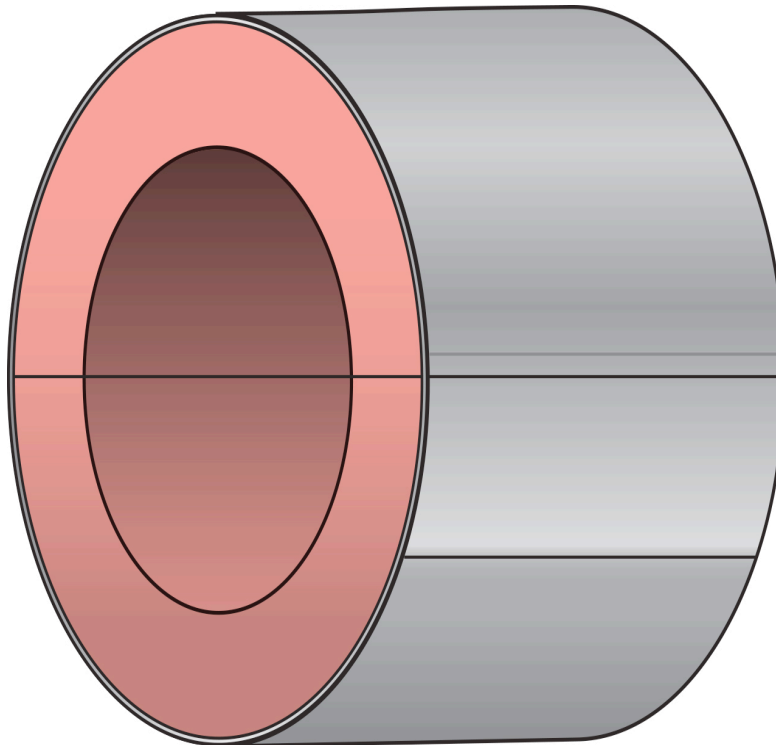


AMIS 400 NM PHENOLIC PIPE SUPPORT SYSTEM

FEATURES:

- * 360 DEGREES NON-METALLIC FIBERGLASS SADDLE
- * PHENOLIC PIPE INSULATION



APPLICATION:

AMIS 400 PHENOLIC is designed to be used on medium and low temperature piping. Low temperature applications include cold water, chilled water, brine systems, DOWTHERM J systems, and other refrigerant system applications. For installation on flat surfaces and clevis hanger systems where a typical galvanized saddle isn't practical/acceptable.



38900 W. TEN MILE RD. • FARMINGTON HILLS, MI 48335
 ph: 248-478-7644 • fx: 248-478-6195 • toll free: 800-859-7875
 sales@americaninsulation.com • www.americaninsulation.com

MODEL - AMIS 400 NM PHENOLIC

"cold stuff!"

PRE-INSULATED PIPE SUPPORT SYSTEM WITH HIGH DENSITY PHENOLIC PIPE INSULATION

FEATURES:

- NO MINIMUM ORDER REQUIREMENTS
- NEVER OVER PURCHASE AGAIN
- EASY RETURNS

- LOW TEMPERATURE APPLICATIONS
- REDUCES NOISE & VIBRATION
- EASY INSTALLATION
- FIRE RESISTANT
- ZERO PERM VAPOR BARRIER
- EXTENDED INSULATION
- AVAILABLE WITH VAPOR BARRIER

- QUICK DELIVERY OF STOCK SIZES
- **SAVE TIME & \$\$\$\$\$**
- ORDER AS NEEDED
- PACKAGED AND TAGGED FOR SPECIFIC JOBSITE AREA

COST SAVINGS

- **NO** DELIVERY CHARGES
- COST COMPETITIVE

QUALITY

- LOW WATER PERMEABILITY
- CRYOGENIC SYSTEM APPLICATION
- FLARED METAL SHIELDS
- 360 FIBACLADSHIELD
- FREEZE RESISTANT
- INDIVIDUALLY LABELED
- AVAILABLE WITH STRUCTURAL INSERT

DELIVERY

- NEVER WAIT AGAIN
- FREE DELIVERY

APPLICATION:

AMIS 400 PHENOLIC IS DESIGNED FOR USE ON MEDIUM AND LOW TEMPERATURE PIPE SUPPORTS SYSTEMS. LOW TEMPERATURE APPLICATIONS INCLUDE COLD WATER, CHILLED WATER, BRINE SYSTEMS, DOWTHERM J SYSTEMS, AND OTHER REFRIGERANT SYSTEM APPLICATIONS. FOR INSTALLATION ON FLAT SURFACES AND CLEVIS HANGER SYSTEMS. THE USE OF FIBACLAD SADDLES ELIMINATE THE USE OF TYPICAL GALVANIZED SADDLES ON APPLICATIONS WHERE METALLIC SADDLES AREN'T RECOMMENDED/REQUIRED.

MATERIAL DATA:

TEMPERATURE RANGE	-290F TO +250F	
DENSITY	2.5pcf TO 10.0pcf	ASTM D 1622
COMPRESSIVE STRENGTH	29psi for 2.5 pcf/ 290psi for 10.0 pcf	ASTM D 1621
SURFACE BURNING CHARACTERISTICS	FLAME SPREAD 25	ASTM E 84
	SMOKE DEVELOPMENT 50	
THERMAL CONDUCTIVITY	2.5 pcf: Mn TEMP=75F 0.13 BTU-in/hr-SF-F	ASTM C 518
	10.0 pcf: Mn TEMP=75F 0.26 BTU-in/hr-SF-F	
WATER VAPOR PERM. CLOSED CELL CONTENT	117 PERM INCH	ASTM E 96
SHIELD PROPERTIES	MINIMUM 90%	ASTM D 2856
	FIBACLAD FR M1 NON-METALLIC	
FLEXURAL STRENGTH	20.7Ksi	ASTM D 790-03
VAPOR BARRIER	ZEROPERM MEMBRANE	
WATER VAPOR PERMS	0,00 PERMS	ASTM E96