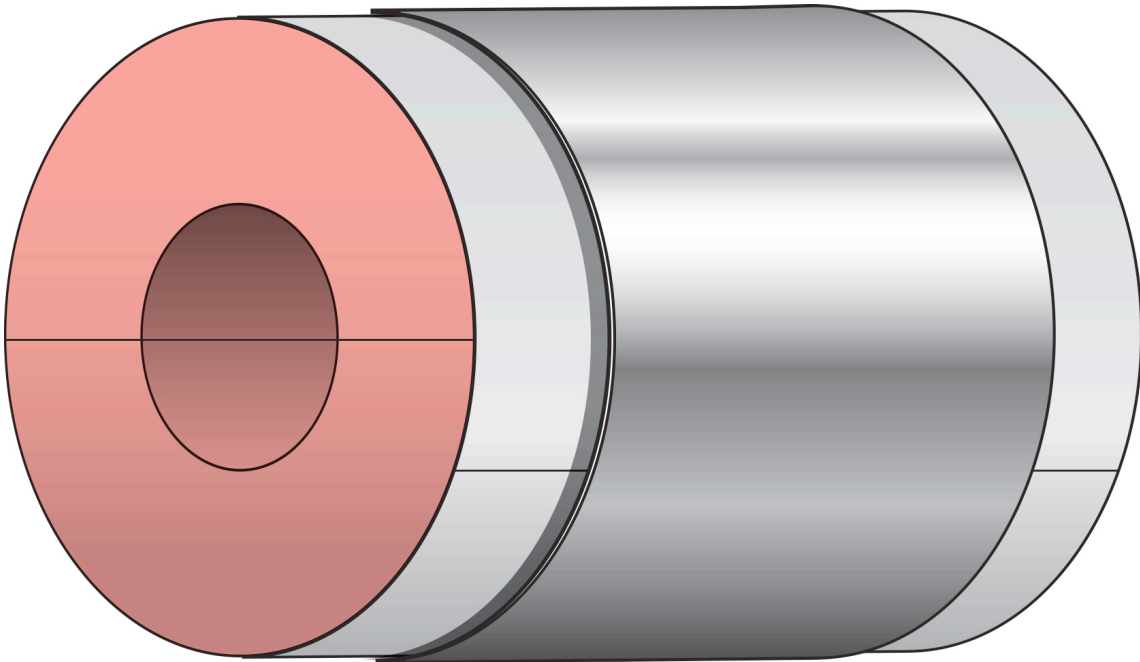


AMIS 400 PHENOLIC PIPE SUPPORT SYSTEM

FEATURES:

- * 360 DEGREES GALVANIZED CARBON STEEL SADDLE
- * PHENOLIC PIPE INSULATION



APPLICATION:

AMIS 400 PHENOLIC is designed to be used on medium and low temperature piping. Low temperature applications include cold water, chilled water, brine systems, DOWTHERM J systems, and other refrigerant system applications. For installation on flat surfaces and clevis hanger systems.



38900 W. TEN MILE RD. • FARMINGTON HILLS, MI 48335
 ph: 248-478-7644 • fx: 248-478-6195 • toll free: 800-859-7875
 sales@americaninsulation.com • www.americaninsulation.com

MODEL - AMIS 400 PHENOLIC

"cold stuff!"

PRE-INSULATED PIPE SUPPORT SYSTEM
 WITH HIGH DENSITY PHENOLIC PIPE INSULATION

FEATURES:

- NO MINIMUM ORDER REQUIREMENTS
- NEVER OVER PURCHASE AGAIN
- EASY RETURNS

COST SAVINGS

- **NO** DELIVERY CHARGES
- COST COMPETITIVE

- LOW TEMPERATURE APPLICATIONS
- REDUCES NOISE & VIBRATION
- EASY INSTALLATION
- FIRE RESISTANT
- CARBON STEEL SHIELD
- EXTENDED INSULATION
- AVAILABLE WITH VAPOR BARRIER

QUALITY

- LOW WATER PERMEABILITY
- CRYOGENIC SYSTEM APPLICATION
- FLARED METAL SHIELDS
- 360 METAL SHIELD
- FREEZE RESISTANT
- INDIVIDUALLY LABELED
- AVAILABLE WITH STRUCTURAL INSERT

DELIVERY

- NEXT DAY DELIVERY OF STOCK SIZES
- **SAVE TIME & \$\$\$\$\$**
- ORDER AS NEEDED
- PACKAGED AND TAGGED FOR SPECIFIC JOBSITE AREA
- NEVER WAIT AGAIN
- FREE DELIVERY

APPLICATION:

AMIS 400 PHENOLIC IS DESIGNED FOR USE ON MEDIUM AND LOW TEMPERATURE PIPE SUPPORTS SYSTEMS. LOW TEMPERATURE APPLICATIONS INCLUDE COLD WATER, CHILLED WATER, BRINE SYSTEMS, DOWTHERM J SYSTEMS, AND OTHER REFRIGERANT SYSTEM APPLICATIONS. FOR INSTALLATION ON FLAT SURFACES AND CLEVIS HANGER SYSTEMS.

MATERIAL DATA:

TEMPERATURE RANGE	-290F TO +250F	
DENSITY	2.5pcf TO 10.0pcf	ASTM D 1622
COMPRESSIVE STRENGTH	29psi for 2.5 pcf/ 290psi for 10.0 pcf	ASTM D 1621
SURFACE BURNING CHARACTERISTICS	FLAME SPREAD 25	ASTM E 84
	SMOKE DEVELOPMENT 50	
THERMAL CONDUCTIVITY	2.5 pcf: Mn TEMP=75F 0.13 BTU-in/hr-SF-F	ASTM C 518
	10.0 pcf: Mn TEMP=75F 0.26 BTU-in/hr-SF-F	
WATER VAPOR PERM.	117 PERM INCH	ASTM E 96
CLOSED CELL CONTENT	MINIMUM 90%	ASTM D 2856
SHIELD PROPERTIES	FIBACLAD FR M1 NON-METALLIC	
FLEXURAL STRENGTH	20.7Ksi	ASTM D 790-03
VAPOR BARRIER	ZEROPERM MEMBRANE	
WATER VAPOR PERMS	0,00 PERMS	ASTM E96