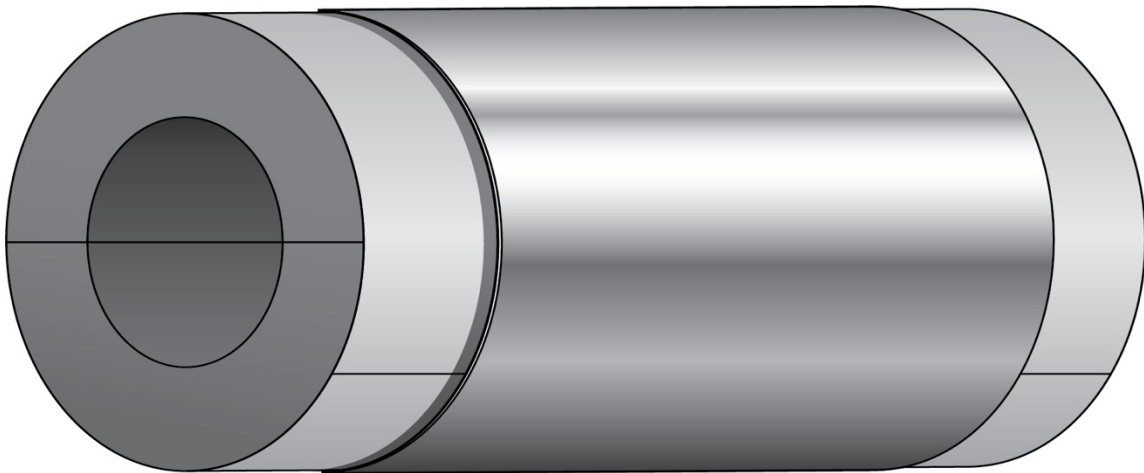


# AMIS 500 CELLULAR GLASS PIPE SUPPORT SYSTEM

## FEATURES:

- \* 360 DEGREES GALVANIZED CARBON STEEL SADDLE
- \* CELLULAR GLASS PIPE INSULATION



## APPLICATION:

**AMIS 500** CELLULAR GLASS IS DESIGNED FOR USE ON MEDIUM AND HIGH TEMPERATURE PIPING SYSTEMS AS WELL AS COLD APPLICATION WITH AN APPLIED VAPOR BARRIER. HIGH TEMPERATURE APPLICATIONS INCLUDE HEAT TRANSFER FLUID SYSTEMS FOR HOT WATER, FUEL OIL, STEAM AND CONDENSATE, PETROLEUM AND PROCESS PIPING, COMMERCIAL PIPING, ETC. COLD TEMPERATURE APPLICATIONS INCLUDE CRYOGENIC SYSTEMS, COLD WATER SYSTEMS, CHILLED WATER SYSTEMS, RAIN WATER CONDUCTORS, ETC. MANUFACTURED FOR INSTALLATION ON FLAT SURFACES AND CLEVIS HANGER SYSTEMS.



38900 W. TEN MILE RD. • FARMINGTON HILLS, MI 48335  
 ph: 248-478-7644 • fx: 248-478-6195 • toll free: 800-859-7875  
 sales@americaninsulation.com • [www.americaninsulation.com](http://www.americaninsulation.com)

**MODEL - AMIS 500 CELLULAR GLASS  
 PRE-INSULATED PIPE SUPPORT SYSTEM  
 WITH CELLULAR GLASS INSULATION**

**FEATURES:**

- NO MINIMUM ORDER REQUIREMENTS
- NEVER OVER-PURCHASE AGAIN
- EASY RETURNS

**COST SAVINGS**

- **NO** DELIVERY CHARGES
- COST COMPETITIVE

**QUALITY**

- LOW & HIGH TEMPERATURE APPLICATIONS
- REDUCES NOISE & VIBRATION
- EASY INSTALLATION
- 360 METAL SHIELD
- CARBON STEEL SHIELD
- VAPOR BARRIER FOR BELOW-AMBIENT APPLICATIONS

- CELLULAR GLASS
- NON-COMBUSTIBLE
- FLARED METAL SHIELDS
- LIGHT WEIGHT
- INDIVIDUALLY LABELED
- EXTENDED INSULATION

**DELIVERY**

- QUICK DELIVERY OF STOCK SIZES
- **SAVE TIME & \$\$\$\$\$**
- ORDER AS NEEDED
- PACKAGED AND TAGGED FOR SPECIFIC JOBSITE AREA
- NEVER WAIT AGAIN
- FREE DELIVERY

**APPLICATION:**

**AMIS 500** CELLULAR GLASS IS DESIGNED FOR USE ON MEDIUM AND HIGH TEMPERATURE PIPING SYSTEMS AS WELL AS COLD APPLICATION WITH AN APPLIED VAPOR BARRIER. HIGH TEMPERATURE APPLICATIONS INCLUDE HEAT TRANSFER FLUID SYSTEMS FOR HOT WATER, FUEL OIL, STEAM AND CONDENSATE, PETROLEUM AND PROCESS PIPING, COMMERCIAL PIPING, ETC. COLD TEMPERATURE APPLICATIONS INCLUDE CRYOGENIC SYSTEMS, COLD WATER SYSTEMS, CHILLED WATER SYSTEMS, RAIN WATER CONDUCTORS, ETC. MANUFACTURED FOR INSTALLATION ON FLAT SURFACES AND CLEVIS HANGER SYSTEMS.

**MATERIAL DATA:**

<i>TEMPERATURE RANGE</i>	-450F TO +900F	
<i>SHIELD PROPERTIES</i>	GALVANIZED CARBON STEEL	ASTM A527
<i>DENSITY</i>	7.18 pcf	ASTM C303
<i>COMBUSTIBILITY</i>	NON-COMBUSTIBLE	ASTM E136
<i>WATER VAPOR PERM.</i>	0.00 PERM/INCH	E96 WET CUP
<i>COMPRESSIVE STRENGTH</i>	AVG 90psi	ASTM C165/C240/C552
<i>INSUL SURFACE BURNING CHARACTERISTICS</i>	FLAME SPREAD 0	ASTM E84
<i>THERMAL CONDUCTIVITY</i>	SMOKE DEVELOPMENT 0	
	Mn TEMP= -100F 0.20 BTU-in/hr-SF-F	ASTM C552
	Mn TEMP= 0F 0.25 BTU-in/hr-SF-F	
	Mn TEMP= 100F 0.31 BTU-in/hr-SF-F	
	Mn TEMP= 300F 0.46 BTU-in/hr-SF-F	